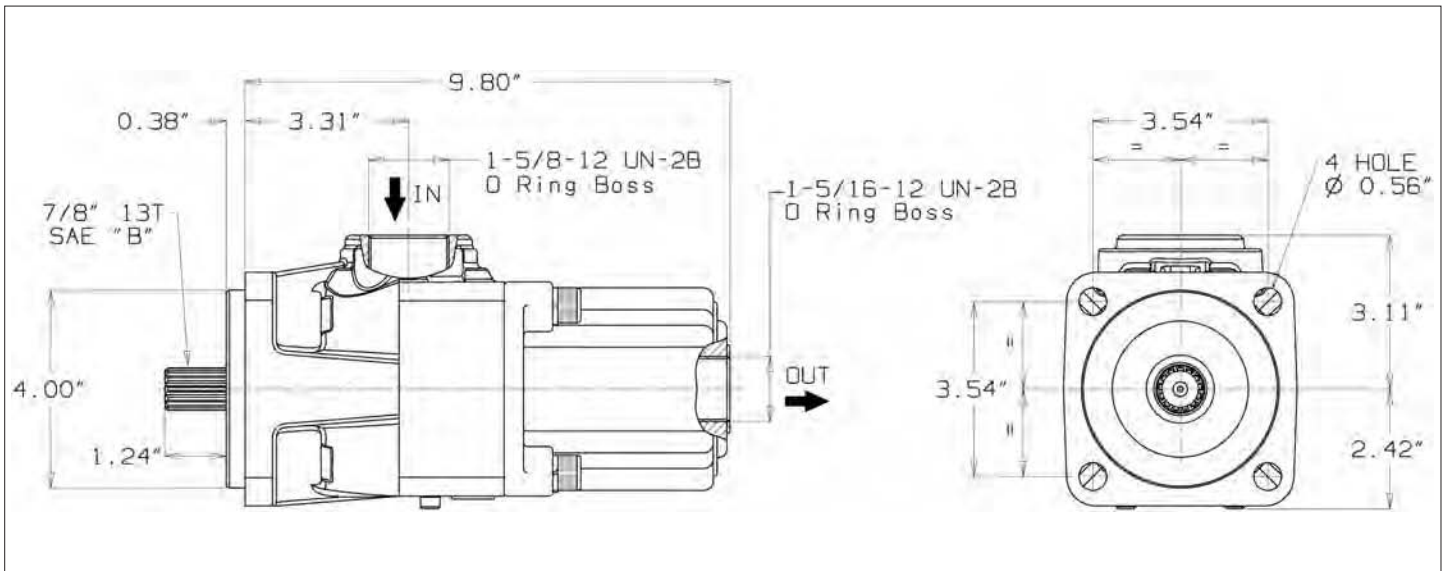


Fluid	Mineral oil based hydraulic fluid
Oil temperature	5°F ÷ 176°F
Oil viscosity	12 up to 100 cSt max.750 cSt
Oil filtering	> 2900 PSI: 0.393 mils < 2900 PSI: 0.984 mils
Inlet pressure	10.15 ÷ 43.5 PSI (Absolute)
Pump rotation	Reversible



TECHNICAL FEATURES

PUMP TYPE	Dis.	Gpm@1000rpm	Pressure	Maximum
			Max./Peak	speed
	inch ³		PSI	rpm
1-PAK 21 108-7-219	0.81	5.54	5075	1800
1-PAK 28 108-7-282	1.08	7.39		
1-PAK 35 108-7-353	1.32	9.24		
1-PAK 42 108-7-424	1.62	11.09		
1-PAK 48 108-7-488	1.89	12.68		
1-PAK 52 108-7-522	2.07	13.73	4350	1500
1-PAK 55 108-7-559	2.16	14.52		
1-PAK 60 108-7-602	2.37	15.85	3770	